

## FlexiDyne Corona Treating System

### PURPOSE

Polymers, such as polyethylene and polypropylene offer many beneficial properties that make them an essential part of your business. However, poor wettability limits the bonding of adhesives, inks, and coatings on 3-D parts, and hampers cell growth in labware.



### EQUIPMENT

The self-contained FlexiDyne corona treating system can operate as a stand-alone unit or be incorporated into a production line. It consists of six main components:

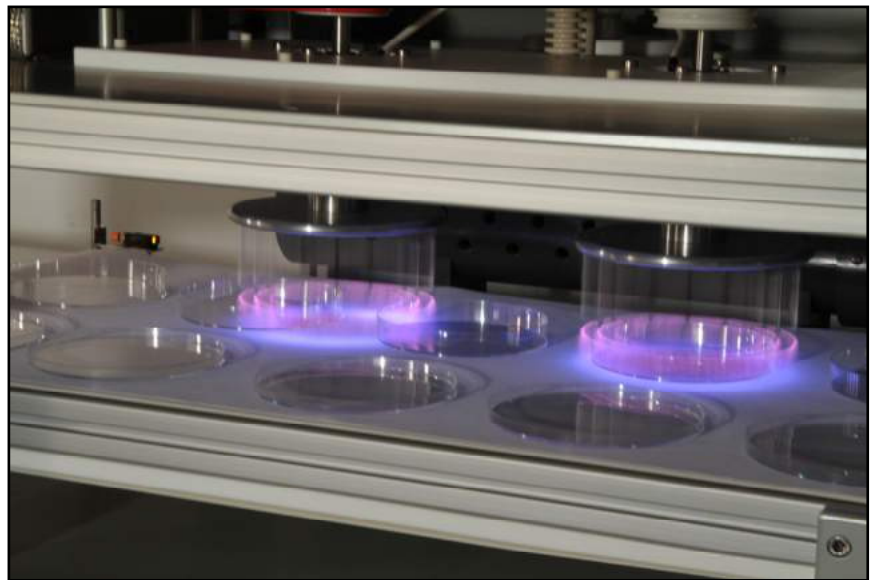
- Corona Generator
- HV Transformer
- Treating station
- Conveyor belt
- Control system
- Ozone filtration system

### SOLUTION

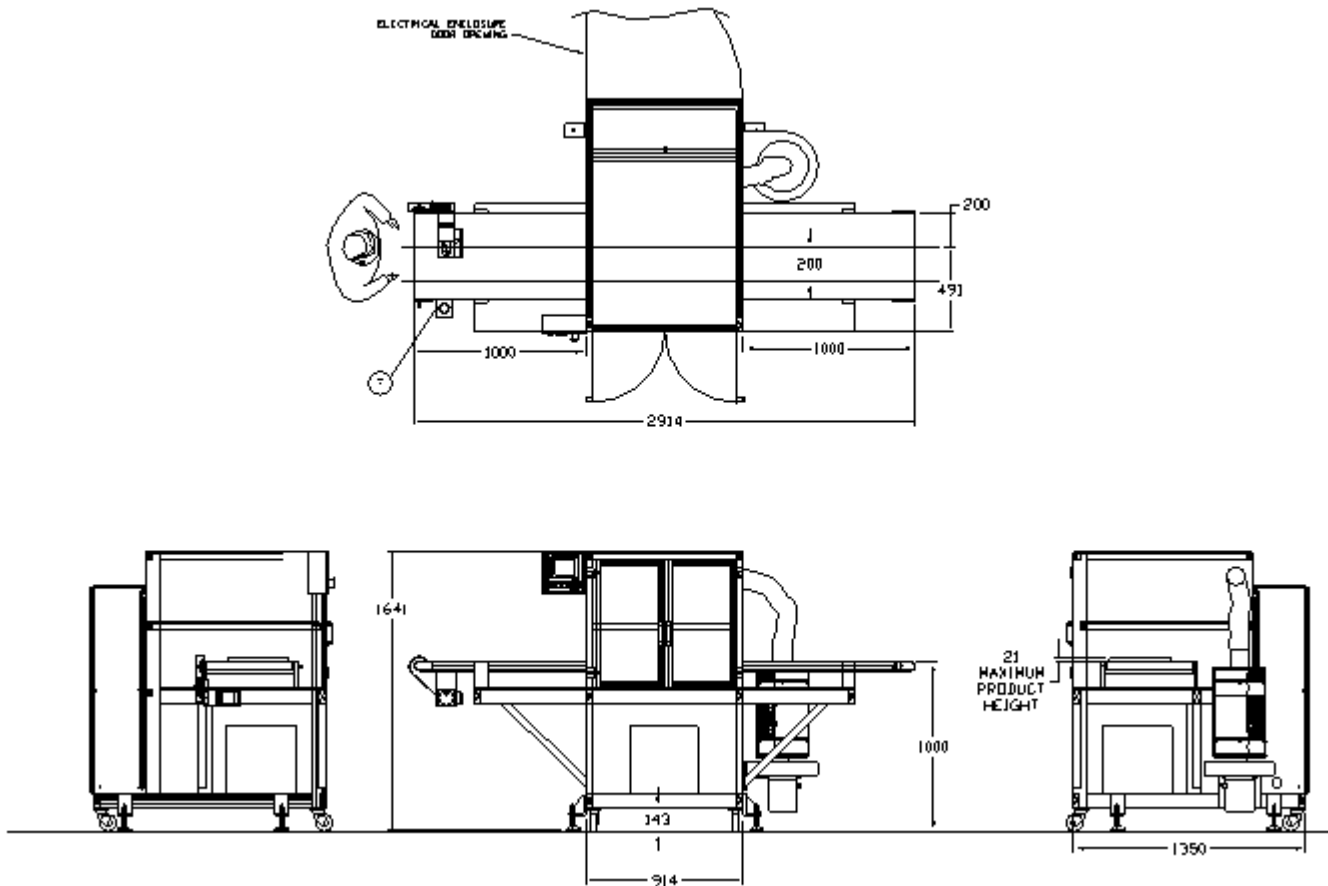
The FlexiDyne treating station treats labware and other 3-D parts with powerful, yet gentle corona treatment causing improved surface energy. As a result, cell growth is enhanced as well bonding with inks, adhesives, and coatings is greatly improved.

FlexiDyne's conveyor is used to transport the product through the treating chamber. Guides at the conveyor entrance ensure proper location of the product for treatment. Optical sensors on the guides trigger the generator. The high voltage transformer boosts the 200 VAC outlet from the generator up to 30,000 VAC altering the surface energy and causing repeatable, uniform treatment.

FlexiDyne is ideal for low profile items such as Petri dishes, test panels and 3-D parts such as lenses, housings and more.



## FlexiDyne Corona Treating System



### FlexiDyne Equipment Specifications:

Type:	FlexiDyne™ 2000X
Part #:	10035-57
Input Voltage:	220 VAC, 50/60Hz, Single Phase
Power Consumption:	2.4 kW Max.
Line Fuse:	20 A, Time Delay
System Fault Output (Fused):	SPST, N.C., up to 240VAC or 30VDC @ 1A
Electrode Speed:	0 - 300 RPM
Electrode Motor:	3-Phase Induction, 220V, 50/60Hz, 25W
Operating Temperature	5 - 40°C (41 - 104°F)
Relative Humidity @40°C	50% (Non-Condensing)
Altitude:	2000m above Sea Level
Noise Emissions:	79 db(A)
Enclosure Protection Rating:	Electrical Cabinet IP52 (NEMA12)
Dimensions:	See Drawing
Approximate Weight:	545 kg (1200 lbs.)