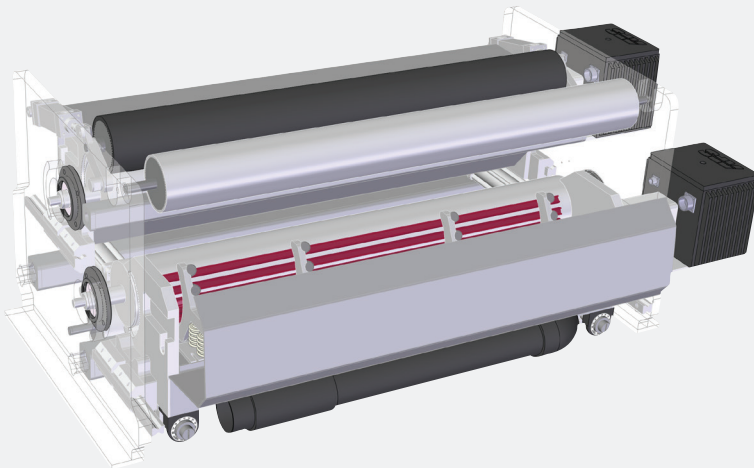


AVB-150CA



FIELD OF APPLICATION

Double-sided Treatment Station

Blown Film Extrusion

Laminating and printing lines

Lower speed coating lines

Accessibility from above (e.g. installation on a bridge)

TECHNICAL DETAILS

Working Width (= WW)	600 - 2800 mm
Dimensions (circa, based on technical specification)	<ul style="list-style-type: none"> → Height: 645 mm (with 1 x PR) / 665 mm (with 2 x PR) → Depth: 920 mm (with 1 x PR) / 1180 mm (with 2 x PR) → Width (incl. Transformer): WW + 714 mm (with 1 x or 2 x PR)
Electrodes	<ul style="list-style-type: none"> → 3-finger, 6-finger or 9-finger Segmented Electrode → 10 High Output Electrodes in Stainless Steel → 5 High Output Electrodes in Ceramic
Treater Rollers	<ul style="list-style-type: none"> → Treater roll with silicon dielectric (sleeve or coating) → Treater roll with corrosion-proof coating → Treater roll with ceramic coating → Treater roll made of aluminum
Working Line Speed	Up to 500 m/min
Further Information	<p>Optionally equipped with:</p> <p>Pressure roller (i.e. additional function as driven nip), drive, water cooling, chain feeder, spreader roll, etc.</p>